

3 Tier Metal Cart

Model Number:

7741196PCOM/7741871PCOM/7741096PCOM

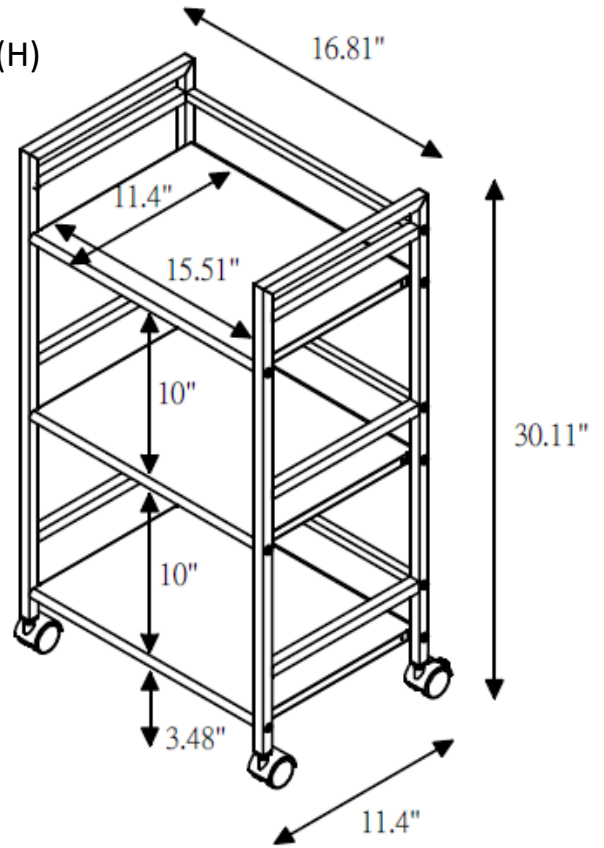
Finish: Black/ Gold / White



OVERALL PRODUCT SIZE (IN INCHES)

3 TIER METAL CART: 16.81"(W)x11.4"(D)x30.11"(H)

Unit Net weight: 8.14 LBS (3.7KG)



MAXIMUM WEIGHT CAPACITIES

